

# SUNWARD USA

Construction Equipment

## SWL-2830 Skid Steer

Operating Weight: 6,244 LBS (2,830 KG)

Gross Power: 65.2 HP (48.6 kW)

Breakout Force: 4,413 lb (2,000 kg)



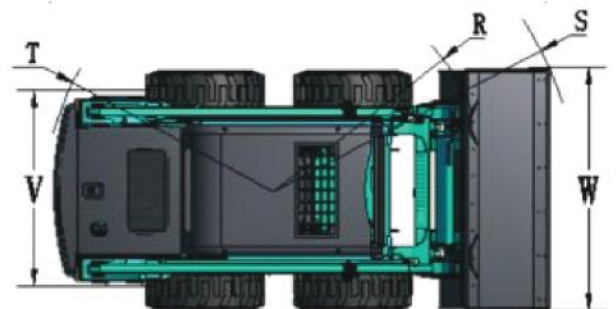
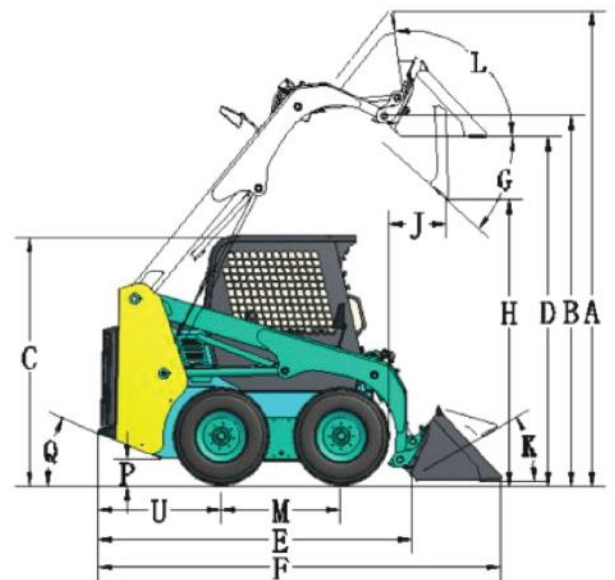
Turn over  
for full  
specifications!

# Product Highlights

- 4,413 lb Breakout Force for getting through the toughest ground
- KUBOTA Engine with EPA T4F Emission Standards for low noise and high reliability
- 146.6 lb-ft Torque to get anywhere on the site quickly and efficiently
- Wide interior with large viewing windows for increased maneuverability
- 7' 7" Dump Height for reaching high truck walls

## Technical Specifications

Machine Weight		6,244 lb	2,830 kg	
Machine Dimensions	Overall Length	10' 11"	3.318 m	
	Overall Height	6' 7"	2 m	
	Overall Width	5'	1. m	
	Ground Clearance	8.7"	220 mm	
Engine	Brand	KUBOTA		
	Model	V2403-CR-TE5B		
	Peak Torque	146.6 lb-ft	198.5 N-m	
	Output	65.2 HP	48.6 kW	
	Max Speed	8.1 mpha	13 kph	
	Rated Operating Capacity	1,655 lb	750 kg	
	Tipping Load	3,310 lb	1,500 kg	
	Curl Breakout Force	4,413 lb	2,000 kg	
	Lift Breakout Force	4,192 lb	1,900 kg	
	Turning Radius from Center	4' 6"	1.235 m	
	Departure Angle	25 Degrees		
	Dump Height	7' 7"	2.32 m	
	Dump Reach	18.7"	475 mm	
	Max Dump Angle	42 Degrees		
	Hydraulics	Brand	KYB	
		Displacement	17.7 gal/min	67 L/min
Pressure		3,045 psi	210 bar	
Fuel and Hydraulics Tanks	Fuel Tank Capacity	19.8 Gal	75 L	
	Hydraulic Oil Capacity	9.2 Gal	35 L	



**Sunward USA Corp**

Web: [www.sunwardusa.com](http://www.sunwardusa.com)

Address: 2710 Geesling Rd, Denton TX 76208

Contact Info:

Phone: 469-353-6890

Email: [info@sunwardusa.com](mailto:info@sunwardusa.com)

Model:

SWL-2830